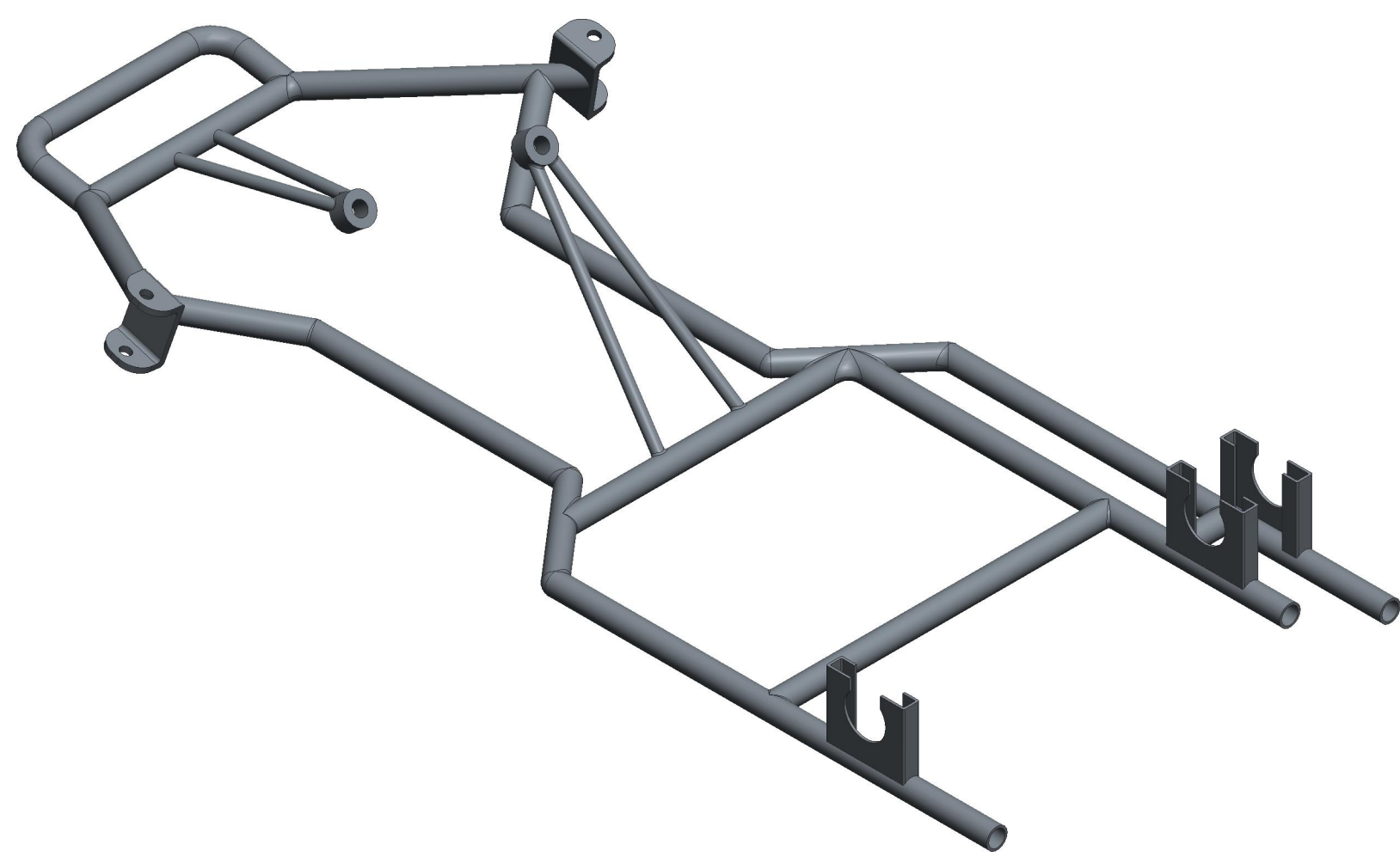
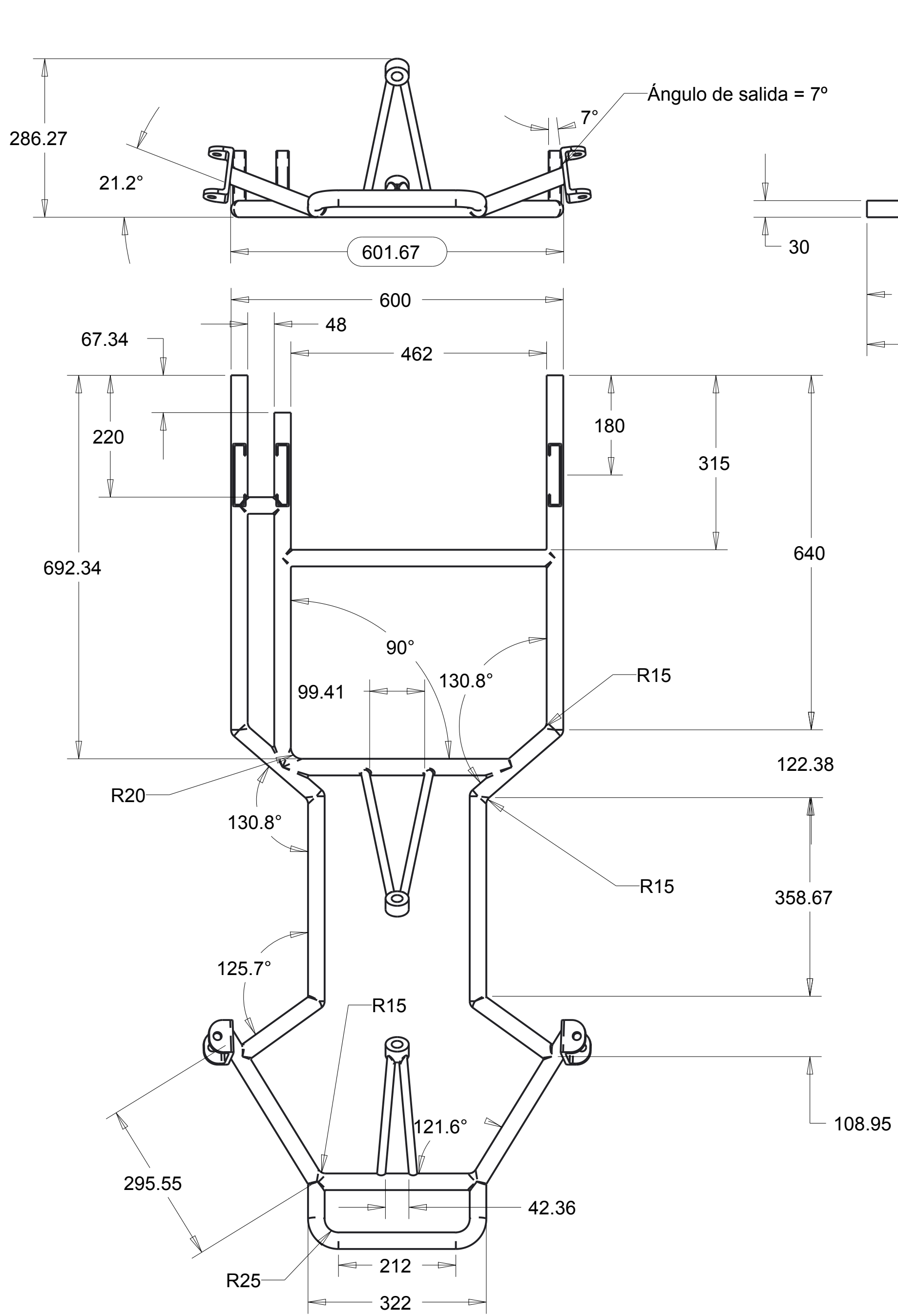


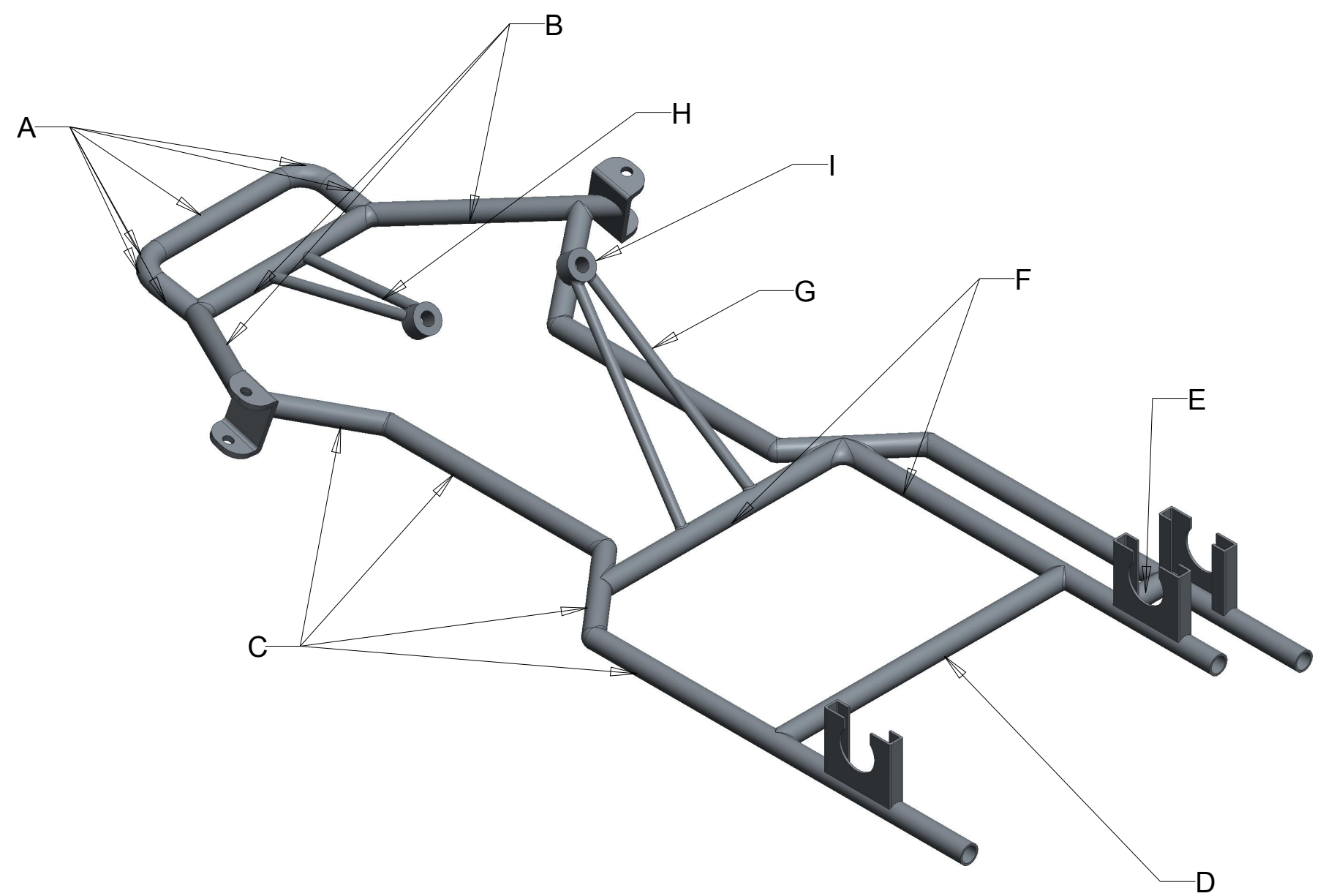
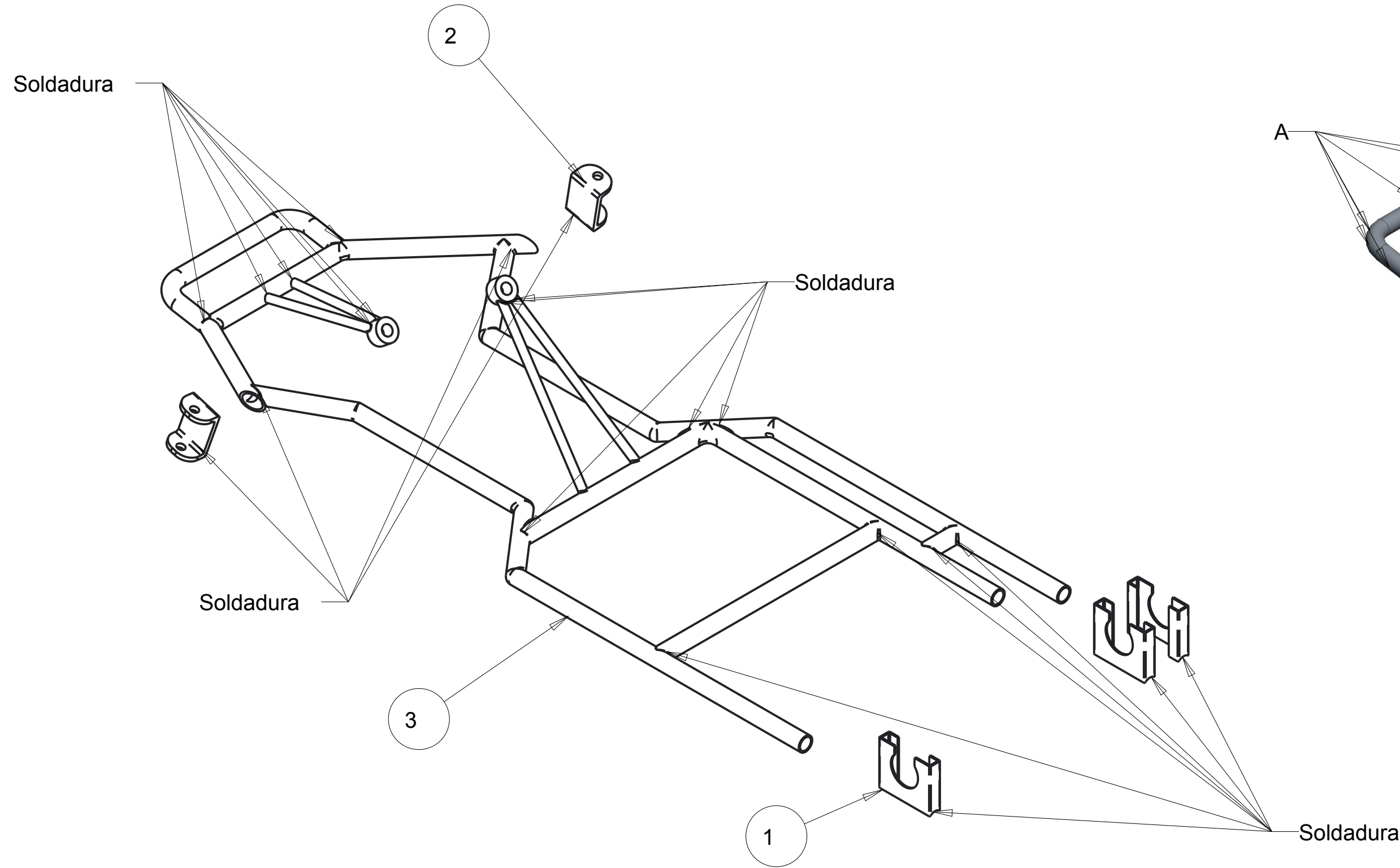
ESCALA 0.150



| | | |
|---------------------------------|-----------|------------|
| GENERAL TOLERANCES UNLESS NOTED | | |
| .X | .XX | ANGLES |
| ± 0.5 | ± 0.5 | ± 0.50 |
| DRAWN | DATE | |
| D.Sebastián | Sep-15-14 | |
| CHECKED | DATE | |
| APPROVED | DATE | |

| | | |
|----------------------------------|--------------|-------|
| Universidad Carlos III de Madrid | | |
| MODEL | | |
| MONTAJE_KART | | |
| SIZE | DRAWING NAME | |
| C | CHASIS_KART | |
| SCALE | TYPE | SHEET |
| 0.150 | ASSEM | 1/4 |

| ITEM | LONGITUD (mm) | TUBO (mm) | BARRA (mm) | CANTIDAD |
|------|---------------|--------------|------------|----------|
| A | 473.7 | ∅ 30, e=3 | - | 1 |
| B | 853.5 | ∅ 30, e=3 | - | 1 |
| C | 1373.2 | ∅ 30, e=3 | - | 2 |
| D | 492 | ∅ 30, e=3 | - | 1 |
| E | 78 | ∅ 30, e=3 | - | 1 |
| F | 1054 | ∅ 30, e=3 | - | 1 |
| G | 343.1 | - | ∅ 15 | 2 |
| H | 232.8 | - | ∅ 15 | 2 |
| I | 25 | ∅ e=45, i=20 | - | 2 |



| ITEM | COMPONENTE | TIPO | MATERIAL | CANTIDAD |
|------|----------------|------|----------------|----------|
| 1 | APOYO_EJE | PART | Acero S355 J2H | 3 |
| 2 | APOYO_MANGUETA | PART | Acero S355 J2H | 2 |
| 3 | CHASIS_FRAME | PART | Acero S355 J2H | 1 |

| | |
|---------------------------------|-------------------|
| GENERAL TOLERANCES UNLESS NOTED | |
| .X | .XX ANGLES |
| ± 0.5 | ± 0.50 |
| DRAWN D.Sebastián | DATE Sep-15-14 |
| CHECKED | DATE |
| APPROVED | DATE |

| | |
|----------------------------------|------------------------------------|
| Universidad Carlos III de Madrid | |
| MODEL | MONTAJE_KART |
| SIZE C | DRAWING NAME CHASIS_KART |
| SCALE 0.150 | TYPE ASSEM SHEET 2/4 |

A

B

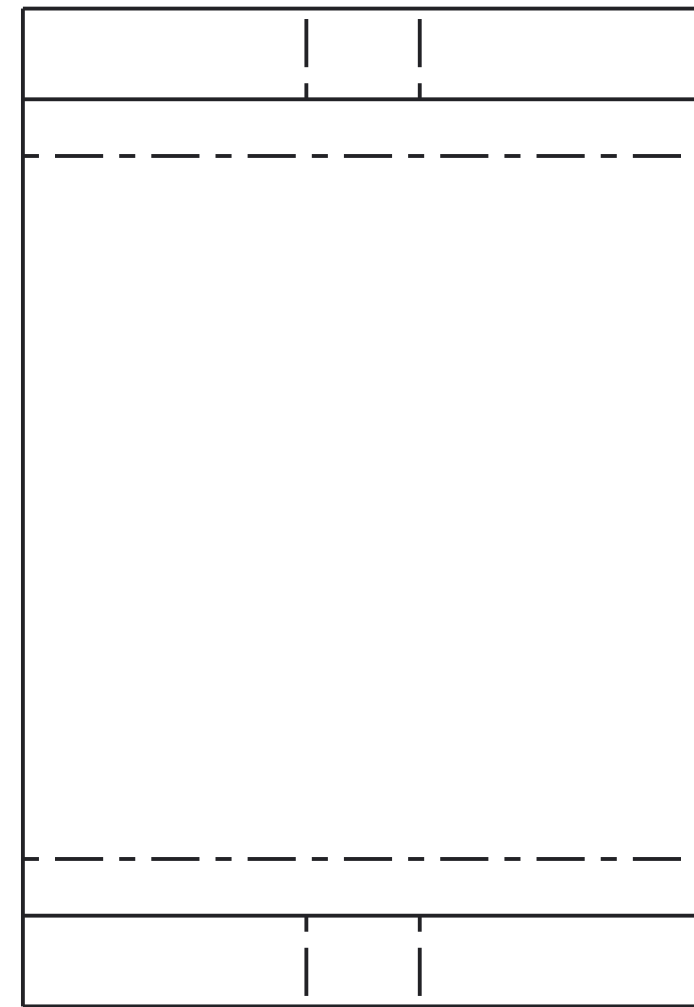
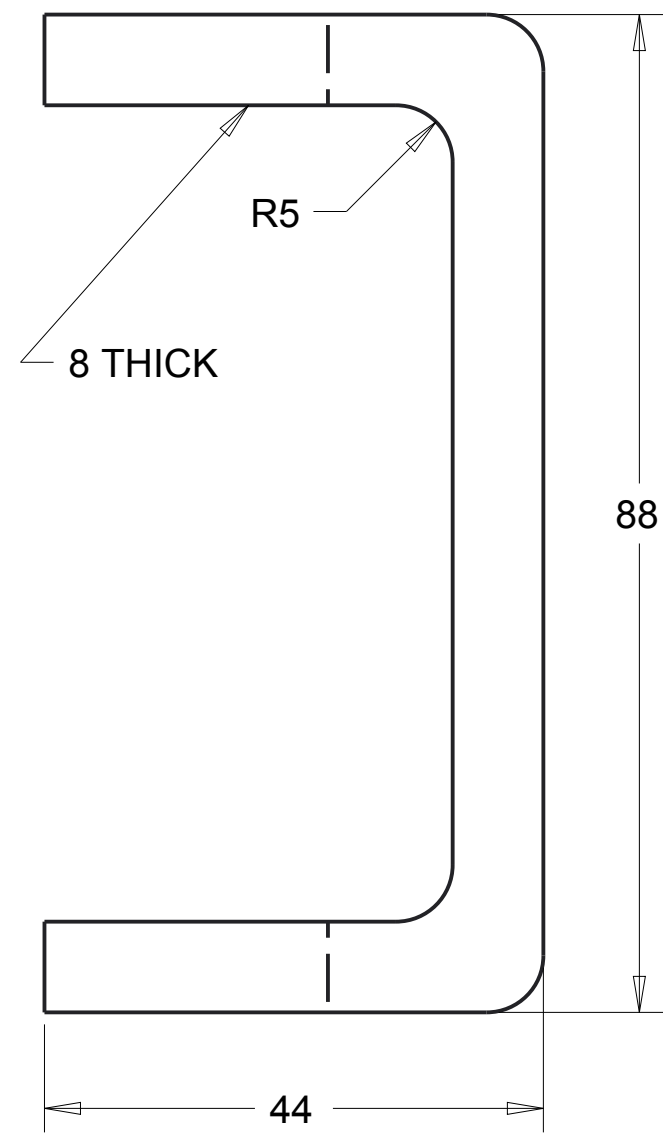
C

D

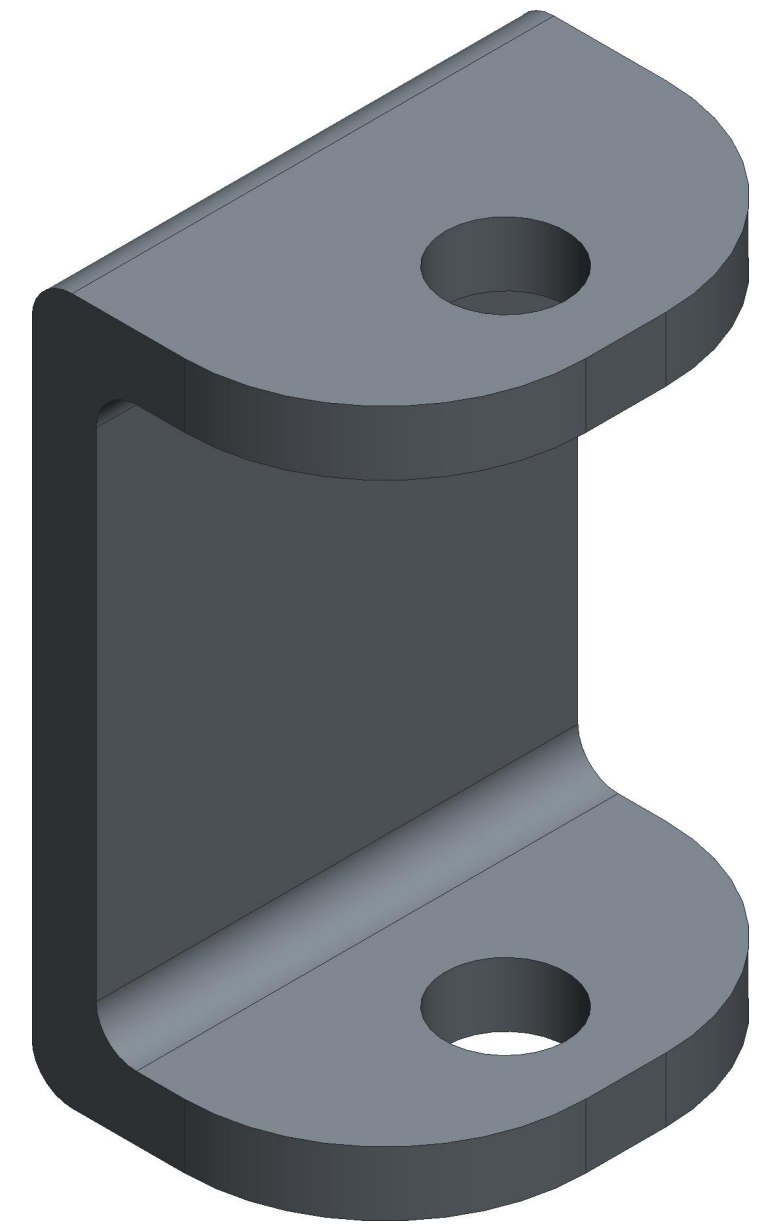
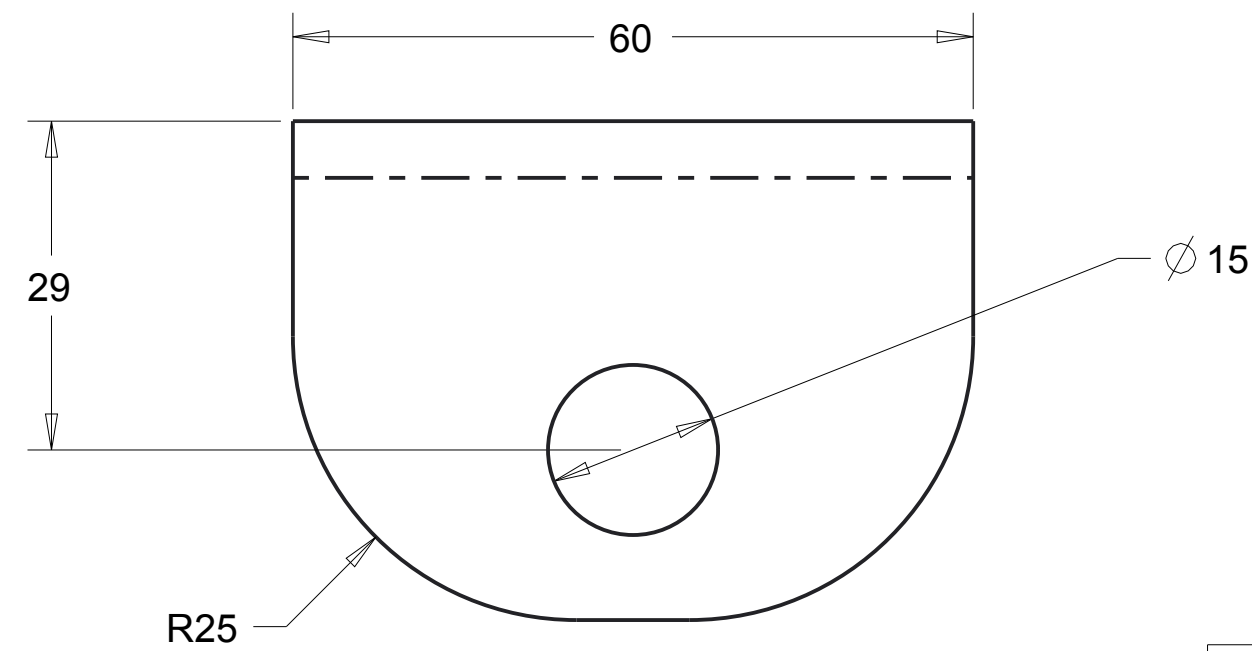
E

F

G



ESCALA 1.500



ESCALA 1.500

GENERAL TOLERANCES UNLESS NOTED

| | | |
|-------|-------|--------|
| .X | .XX | ANGLES |
| ± 0.5 | ± 0.5 | ± 0.50 |

| | |
|-------------|-----------|
| DRAWN | DATE |
| D.Sebastián | Sep-15-14 |

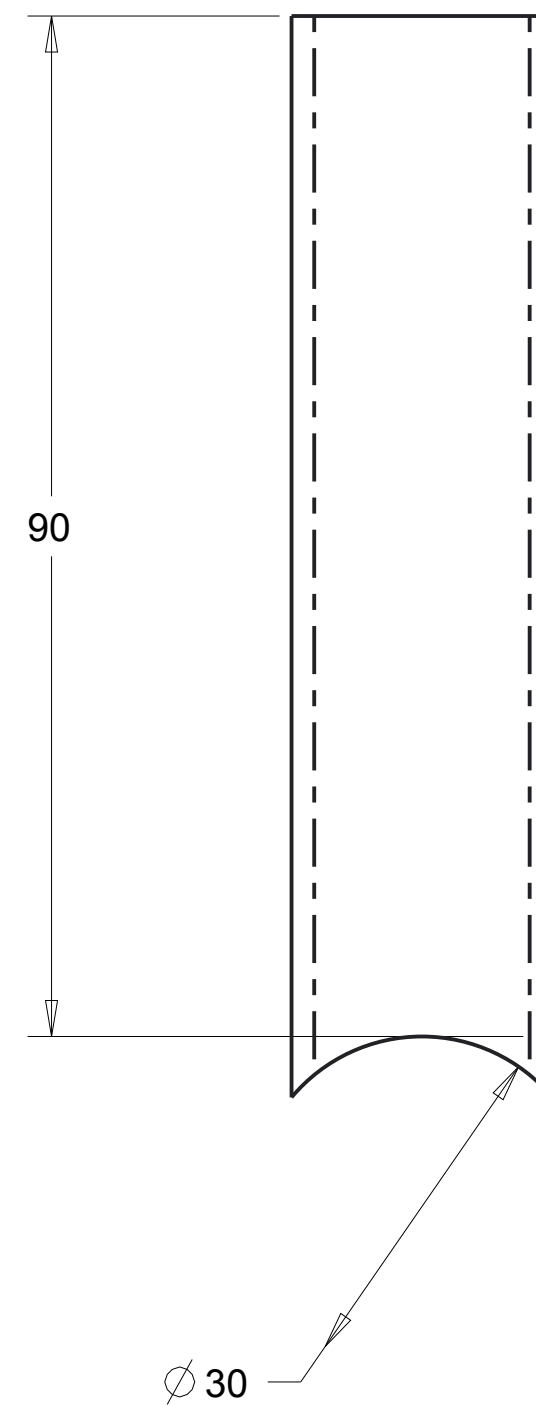
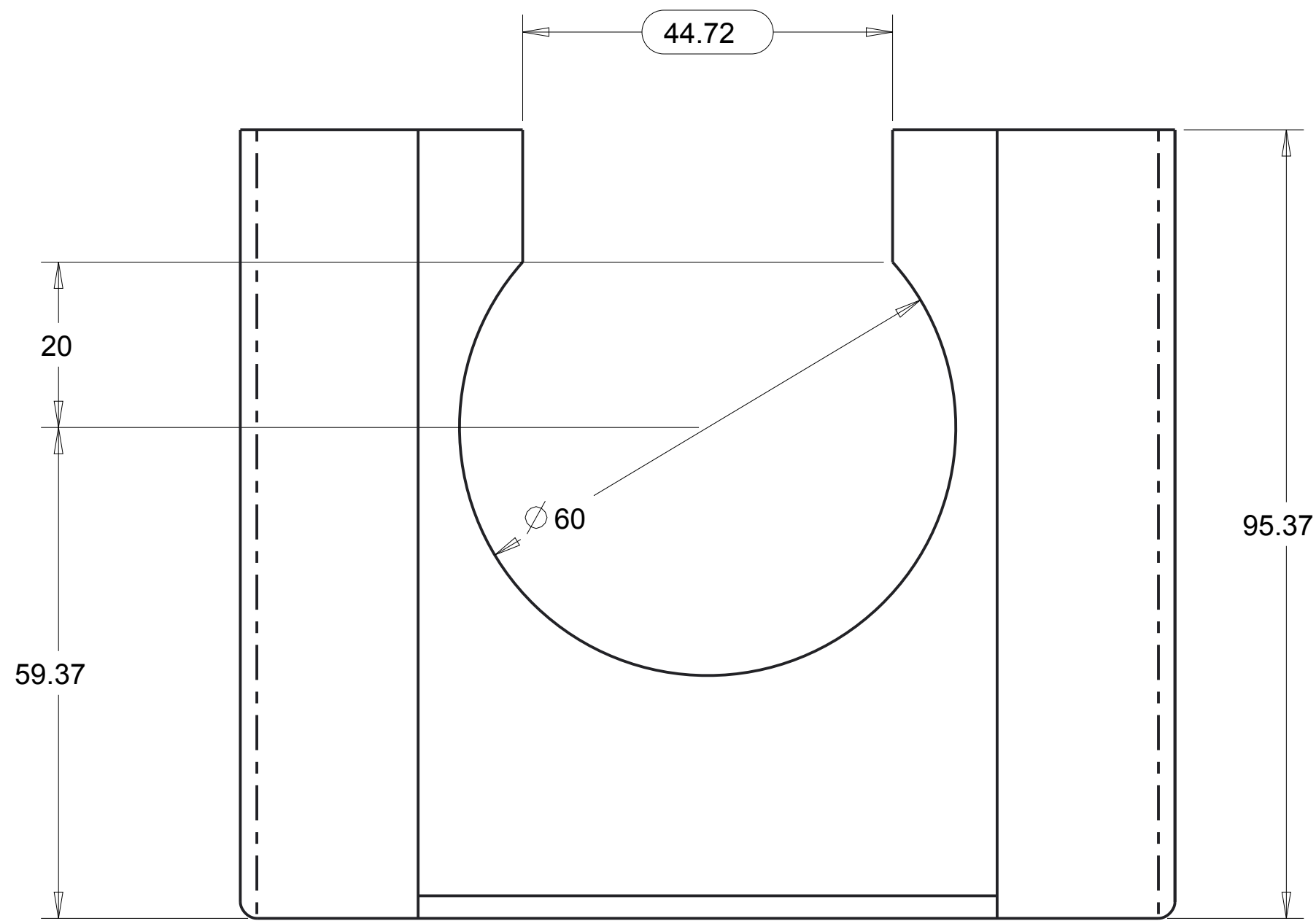
| | |
|----------|------|
| CHECKED | DATE |
| APPROVED | DATE |

Universidad Carlos III de Madrid

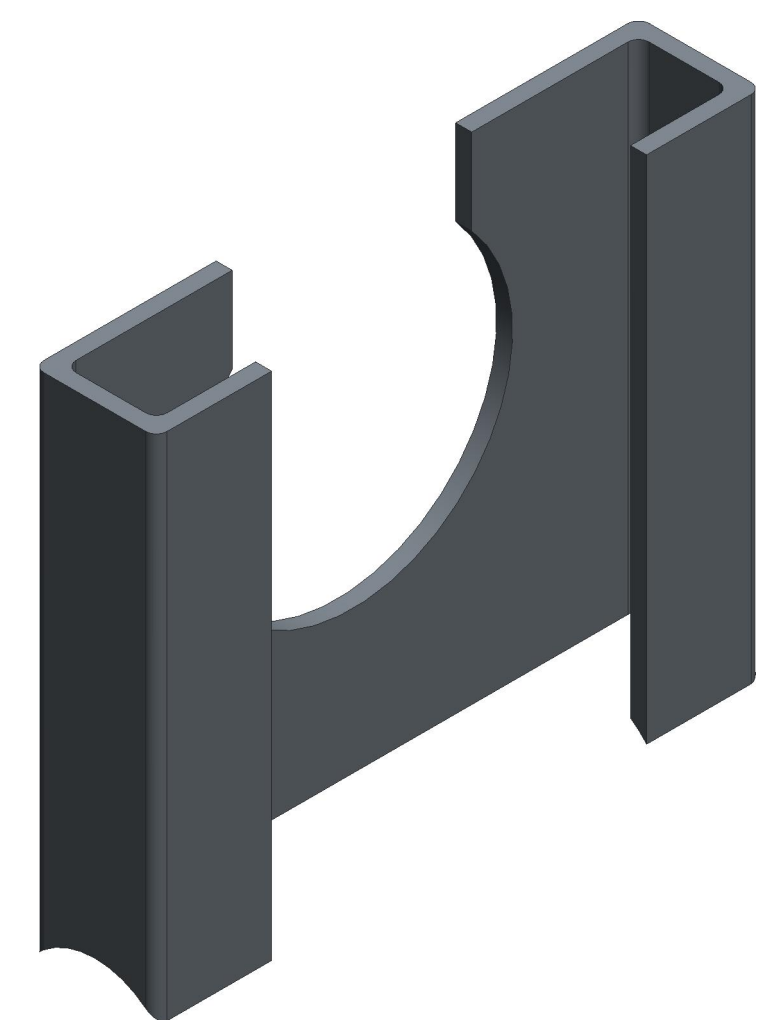
MODEL
APOYO_MANGUETA

| | |
|----------|--------------------|
| SIZE | DRAWING NAME |
| C | CHASIS_KART |

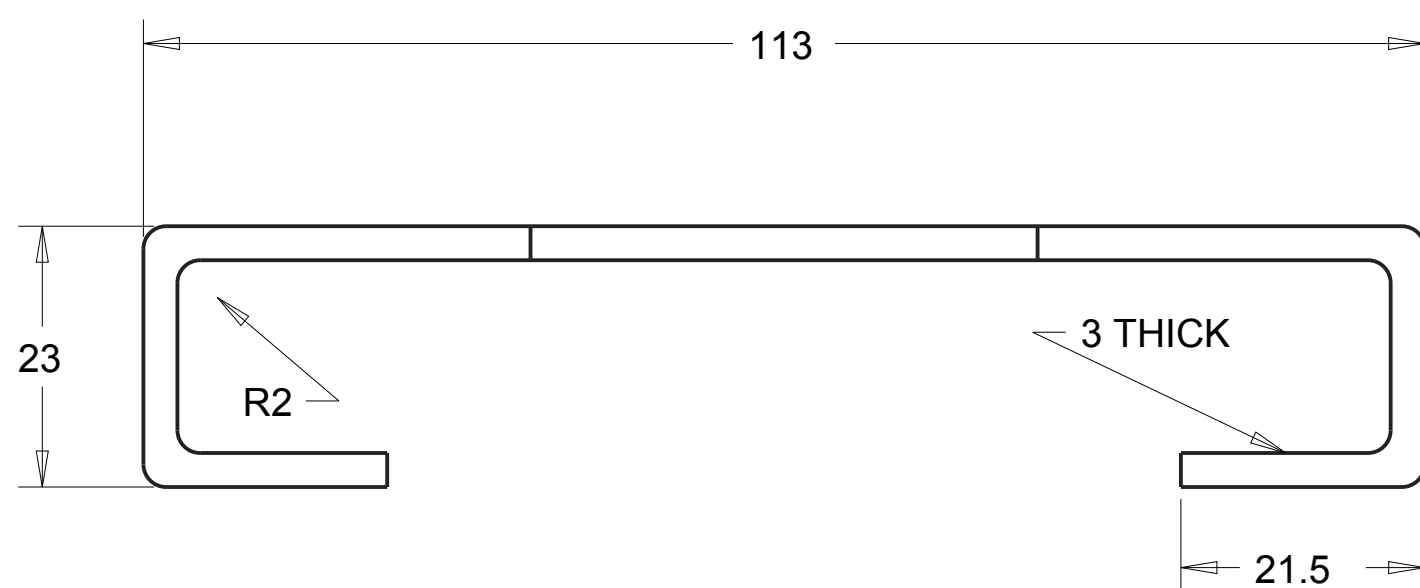
| | | | | | |
|-------|-------|------|------|-------|-----|
| SCALE | 1.500 | TYPE | PART | SHEET | 3/4 |
|-------|-------|------|------|-------|-----|



ESCALA 1.500



ESCALA 1.000



| | | |
|---------------------------------|-----------|--------|
| GENERAL TOLERANCES UNLESS NOTED | | |
| .X | .XX | ANGLES |
| ± 0.5 | ± 0.5 | ± 0.50 |
| DRAWN | DATE | |
| D.Sebastián | Sep-15-14 | |
| CHECKED | DATE | |
| APPROVED | DATE | |

| | | |
|----------------------------------|--------------|-------|
| Universidad Carlos III de Madrid | | |
| MODEL | | |
| APOYO_EJE | | |
| SIZE | DRAWING NAME | |
| C | CHASIS_KART | |
| SCALE | TYPE | SHEET |
| 1.500 | PART | 4/4 |